

4<sup>th</sup> Oct 2023

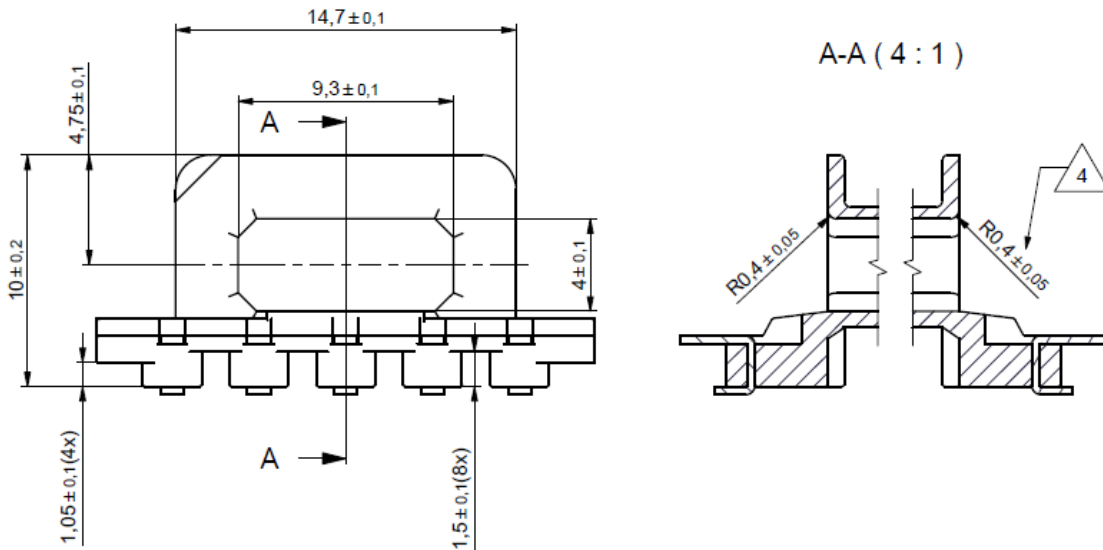
Product Change Notification – PCN F02/2023

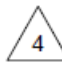
SUBJECT: CSHS-EFD20-1S-10P-Z (432202106091)

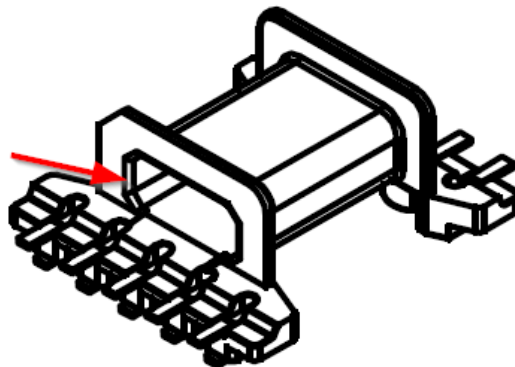
**Change concerns:**

- |   |   |                                    |
|---|---|------------------------------------|
| <input type="checkbox"/> Production             | <input checked="" type="checkbox"/> Product | <input type="checkbox"/> Packaging |
| <input type="checkbox"/> Manufacturing Location | <input type="checkbox"/> Quality            | <input type="checkbox"/> Material  |
| <input type="checkbox"/> Other                  |   |                                    |

**Change Description:** Added radius R0.4±0.05 in the inlet of center leg – see below



 Added radius R0.4



**The change is introduced with immediate effect.**

**Issued by: Ferroxcube Product Management**

For further information please contact your nearest Ferroxcube sales office, which will also support you with any additional questions. The addresses of our worldwide sales network are presented at [www.ferroxcube.com](http://www.ferroxcube.com)