

25th May 2017

Product Change Notification – **PCN F03/2017**

SUBJECT: E80/38/20 core series

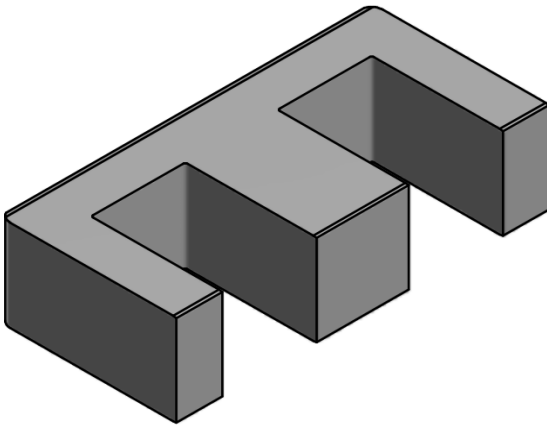
Change concerns:

- Production **Product** Packaging
 Manufacturing Location Quality Material
 Other

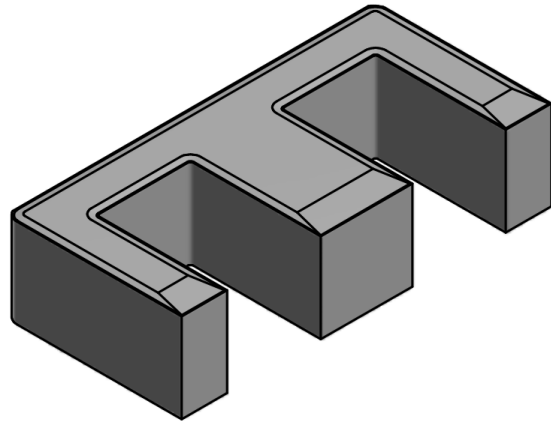
Change Description:

To optimize product performance Ferroxcube modifies side surface of E80/38/20 cores series according to below sketch.

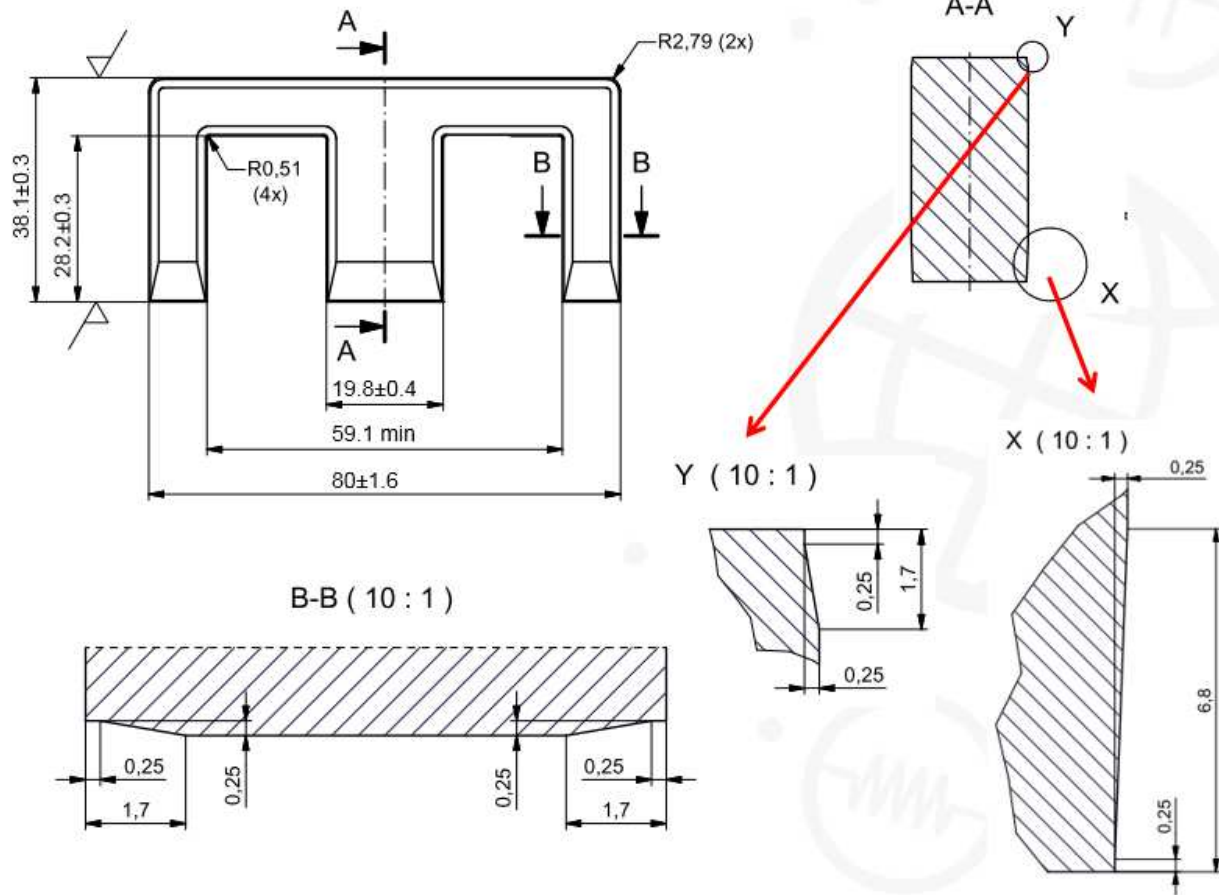
Before:



After:



Details of change:



The change in the process will be introduced starting from 1st June 2017 and supplies will follow after stock of previous version will run out.
No product code, either description will be changed.

Issued by: Ferroxcube Product Management

For further information please contact your nearest Ferroxcube sales office, which will also support you with any additional questions. The addresses of our worldwide sales network are presented at www.ferroxcube.com